

Safe Storage and Disposal of Combustible Materials

Proper disposal of rubbish and waste materials helps prevent fires and costly employee accidents.

Safe metal containers for waste, wiping rags and oily materials will prevent fires. Oily rags, waste, sawdust and clothing are subject to spontaneous ignition and are highly dangerous. Materials of this type should be placed in safe metal containers as shown.

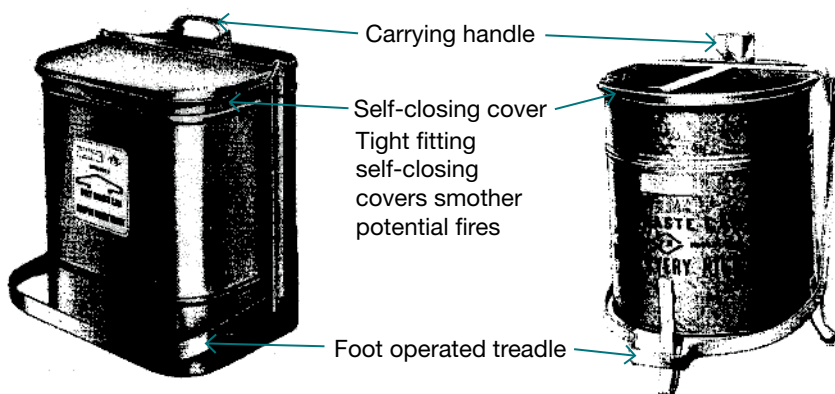
Waste materials should be removed from the building at the close of each day or they should be kept in fire resistive rooms.

Safe storage for combustible packing materials

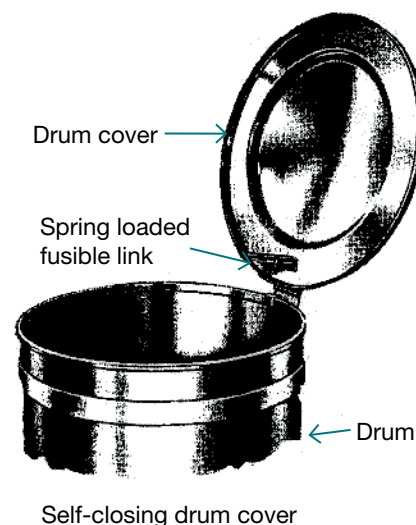
Loose fibers, shredded paper, excelsior, foam plastics and other packing materials should be stored in "Safety Bins." Safety Storage Bins should be provided with automatic closing covers.

General outdoor housekeeping

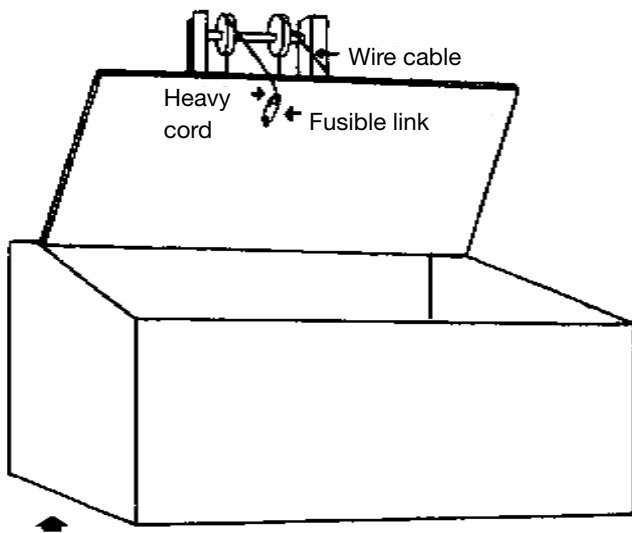
- Keep waste and rubbish a safe distance from buildings.
- Outside containers should be located a safe distance from buildings and air intake systems. Containers should be covered and the area should be inspected on a regular basis to prevent any accumulation of rubbish.
- Places near and under loading platforms, areaways, window wells and electrical panels or transformers should be checked frequently and rubbish accumulations should be removed immediately.
- "Good housekeeping" is a full time job. Good housekeeping practices reduce accidents and contribute to profit.



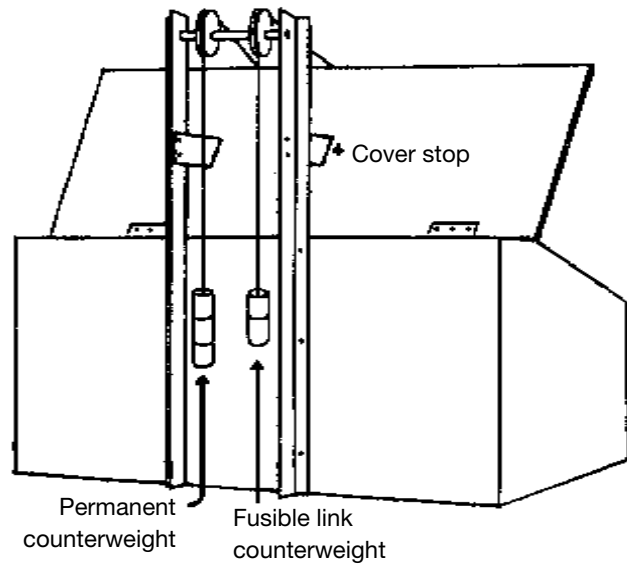
Adjustable automatic closing drum covers are available for 30 gallon and 55 gallon drums.



Good housekeeping practices reduce accidents and contribute to profit.



Front view of safety bin for packing materials. Bin can be made of metal, or of wood lined with metal.



The permanent counterweight should be heavy enough to do most of the work of holding cover open. Both weights combined should be properly adjusted so that cover can be manually opened or closed, and will hold either position. One or two stops will prevent cover being raised more than 80° from a horizontal position.

The information presented in this publication is intended to provide guidance and is not intended as a legal interpretation of any federal, state or local laws, rules or regulations applicable to your business. The loss prevention information provided is intended only to assist policyholders in the management of potential loss producing conditions involving their premises and/or operations based on generally accepted safe practices. In providing such information, Great American does not warrant that all potential hazards or conditions have been evaluated or can be controlled. It is not intended as an offer to write insurance for such conditions or exposures. The liability of Great American Insurance Company and its affiliated insurers is limited to the terms, limits and conditions of the insurance policies underwritten by any of them.

The Great American Insurance Group eagle logo and the word marks Great American® and Great American Insurance Group® are registered service marks of Great American Insurance Company. © 2016 Great American Insurance Company. All rights reserved. Great American Insurance Group, 301 E. Fourth St., Cincinnati, OH 45202. F13360-LP (01/16)

